



**hidroman**

**Hydraulic System Partner**



# About Us

## **We are Hydraulic System Partners for Original Machinery Manufacturers**

All Hydraulic Components Required for Your Machine Are Offered To Your Service From A Single Address. With More than 20 Years of Experience in Hydraulic System Engineering, We Offer You Perfect and Competitive Solutions by Producing New Technologies in the Sector, with the World's Exclusive Brands, Our Strong Collaborations.

Sustainability is very important to **Hidroman**. **Hidroman** continues its efforts to produce sustainable products and systems in order to ensure its long-term success and to protect the natural environment for future generations.

We aim to make renewable energy cost-effective, mobility safer and more affordable, and to develop environmentally friendly products that involve the entire community.

## **Hidroman's IoT Supported Intelligent Hydraulic Equipment**

Having many pilot projects on Industry 4.0, Hidroman works on a production flow where machines and products are aware of each other. In the pilot projects tried at the "Hidroman" factory in Izmir, it is aimed that the product itself, the machine that produces it, and the human factor that follows it, speak the same communication language.

**We produce special solutions for you.**

**hidroman**

# Our Brands and Our Fields of Activity

**seide**

[www.seidemachine.com](http://www.seidemachine.com)

Hose Testing Machines  
Hose Flushing Machines  
Hose Washing Machines  
Hose Storage Systems  
Pipe Form Machines

**hidrolik  
market**

[www.hidrolikmarket.com.tr](http://www.hidrolikmarket.com.tr)

Online Platform for Domestic Sales  
of Hydraulic Equipment

**hydraulic  
store**

[www.hydraulicstore.com.tr](http://www.hydraulicstore.com.tr)

Online Platform for Overseas Sales  
of Hydraulic Equipment

**hidroman**

# Our Brands



[www.pnomatikmarket.com](http://www.pnomatikmarket.com)

Online Platform for Domestic Sales  
of Pneumatic Equipment



[www.hidrolikservis.com.tr](http://www.hidrolikservis.com.tr)

Hydraulic Service



Compact Work Machine Production



[www.atahidrolik.com.tr](http://www.atahidrolik.com.tr)

Hydraulic Cylinder Manufacturing  
and Revision Service

hidroman

# R&D

In order to produce new technologies, sustainable products and systems, **Hidroman** will allocate 2 times of its current budget in 2022 for R&D Activities in 2023 for these activities.

**Hidroman** currently has 16 Patents, 3 Utility Models, 15 Industrial Design Registrations and 6 Trademarks.

**Hidroman** aims to make at least 10 patent, utility model and industrial design registration applications every year.

# Products – Form Machine



We provide 100% impermeability guarantee with our Form Machine, which allows you to make connections without welds and ferrules.

Don't be bothered by leaks caused by ferrules and welding, our solution engineers will design the form machine for you according to your needs.



hidroman

# Products – Hydraulic Hose Crimper



# Products – Filtration and Flushing Machines



## KATI PARÇALAR VE PARTİKÜLLER

Katı partiküller sebebiyle hidrolik yağlarda kirlenme



## HAVA

Hidrolik yağ içinde hapsolmuş hava



## KESME

Çok yüksek basınç ve sıcaklık sebebiyle hidrolik yağlardaki aşırı yüklenme



## KARIŞIM

Aynı özellikte olmayan hidrolik yağların karışımı ile oluşan kimyasal reaksiyon



## SU

Hidrolik yağ içindeki su kirliliği



## SICAKLIK

Çok yüksek şartlarda çalışma ya da ortam sıcaklığı



## HİDROLİK SİSTEMLERDE FLUSHING

Hidrolik sistemlerde flushing, sistemde daha sonra kullanılacak hidrolik yağın borularda doluşturılmasıyla gerçekleşen temizleme işlemidir. Kapalı bir hacimde, yağın doluşturılarak partiküllerin temizlenmesi için yağın boru veya hortum içinde sürtünme oluşturması gerekmektedir. Boru içinde yağın sürtünme oluşturması da yağ akışının laminar akıştan türbülanslı akışa dönmesi ile gerçekleşir.

## NEDEN SEİDE RK91 TERCİH EDİLMELİ

Seide RK91, yüksek debi veya daha fazla yağ filtrasyonu ile aynı zamanda flushing işlemi yapabileceğiniz bir sistemdir. Bu modelde pompa debisi 80 lt/dk'dır. Ünitelerin elektrik motoru 230 VAC monofaze veya 400 VAC trifaze olabilmektedir. RK91 serisi üniteler 900 gr. kir tutma kapasitesi ile öne çıkmaktadır. Seide RK91 modeli ile 3 aşamalı filtrasyon ve flushing uygulaması yapılarak sırasıyla 60 mikron, 25 mikron ve 10 mikron seviyesinde hidrolik sistem temizliği sağlanmaktadır. Ayrıca 5 mikron filtre elemanı da opsiyonel olarak kullanılabilir. 3 aşamalı filtrelerin her birinin 950 lt/dk geçirgenliğe sahip olması, filtre değişim maliyetini azaltarak muadil ürünlere göre %400 ekonomik kullanım sağlar.



## BASİT, HIZLI VE KOMPAKT



hidroman



# Products – Hose Washing Machine

Hose Washing Capacity Between 3/16 – 2



hidroman

# Products – Hose Cutting Machines



## Products – Off-Line Filter



“ seide

**RK 90 OFF-LINE FİLTRE**

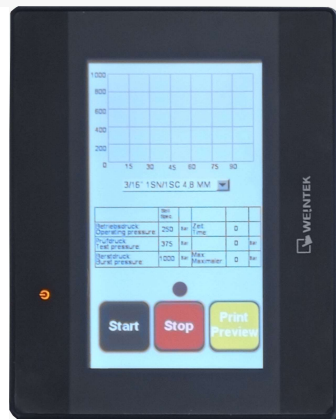
*Sürekli Filtrasyon Yaparak  
Arızaların Neredeyse  
%100'ünden Kurtulun!*

”

hidroman

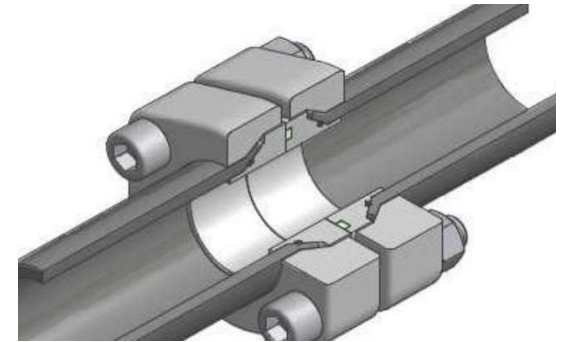
# Products – Hose Testing Machine

Hose Testing Capacity Between 3/16 – 2 inches  
And 0 – 2200 Bars



hidroman

# Products – Flange Fastening Machine



**hidroman**

# Procust – Pipe Bending Machines



## Products – Pressure Measurement Systems



# Products – Rock Breaker System



**hidroman**



# Products – Mini Excavator



hidroman

## Products – Midi Excavator



hidroman

## Products – Mini Damper



hidroman

# Products – Robot Work Machine



hidroman

# Production Stages – Hydraulic Cylinder



hidroman



# Production Stages – Raw Material Preparation



Honed Tube and Chrome Plated Shaft Cut  
Cutting Piston, Rear Cover, Front Cover  
Materials  
Preparation of Sealing Kits

# Production Stages – Processing of Raw Materials



Raw materials are processed in desired dimensions on CNC and Universal Turning, Milling and Drilling Machines.





# Production Stages – Processing of Raw Materials



Raw materials are processed in desired dimensions on CNC and Universal Turning, Milling and Drilling Machines.



# Production Stages – Performing Welding Processes

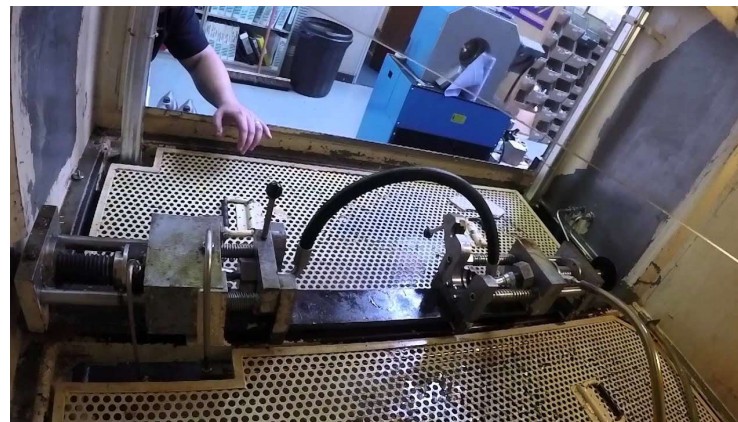
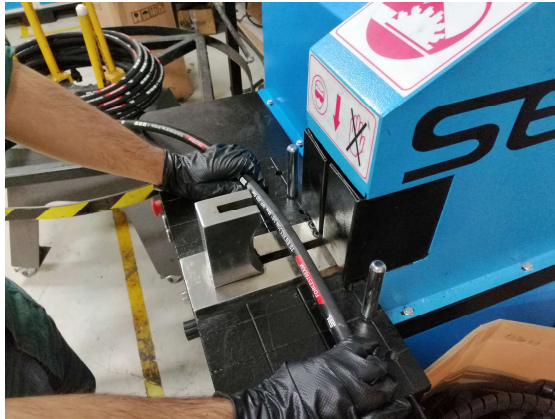


Welding Operation is done with TIG  
Welding Machine



hidroman

# Production Stages – Crimped Hydraulic Hoses



hidroman

# Our references



# Our partners



**Thank you for your time**

**hidroman**